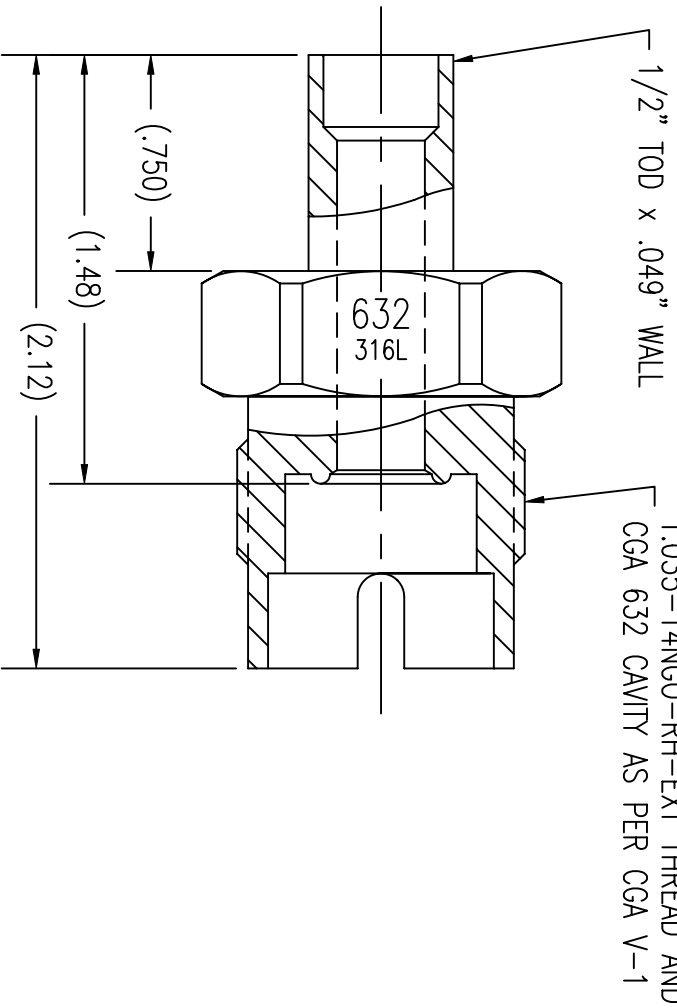
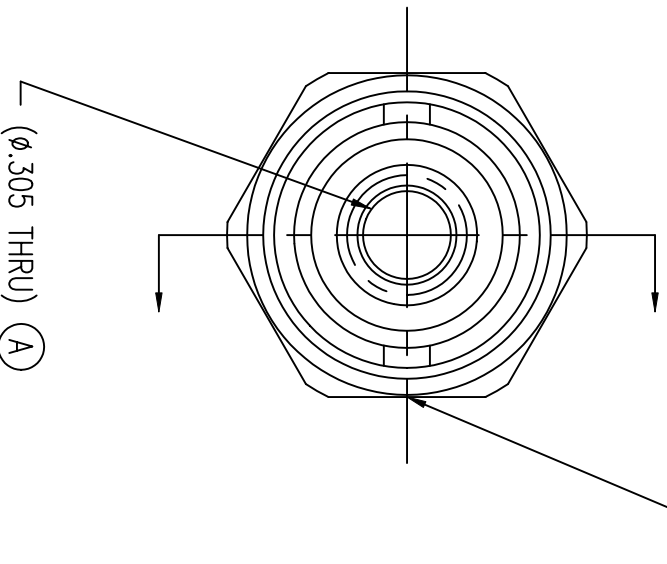


UNCONTROLLED
For Reference Only

MB 7/11/2011



ANGULAR ORIENTATION
OF KEYWAYS TO HEX IS
REQUIRED



- NOTES:
1. MAMP: 3000 PSI
 2. ULTRASONICALLY D.I. CLEANED AND SINGLE POLY BAGGED.
 3. ELECTROPOLISHED. (B)

B	ADDED NOTE 3	7/11/2011
A	REDRAWN, φ.305 WAS .187	8/10/2007
REV	DESCRIPTION	DATE

THIS DOCUMENT CONTAINS INFORMATION THAT IS THE PROPRIETARY AND CONFIDENTIAL PROPERTY OF GASFLU PRODUCTS INC. AND MAY BE USED ONLY FOR AUTHORIZED PURPOSES. THIS DOCUMENT MAY NOT BE REPRODUCED WITHOUT GASFLU PRODUCTS INC. PRIOR WRITTEN CONSENT

MAT'L:	1 1/8" HEX 316L SST
DWN:	MB
SCALE:	NTS
DATE:	6/1/04

GasFlu Products Inc.
Fairfield, N.J.

SALES DWG. - VALVE OUTLET ADAPTER
CGA 632 x 1/2" TUBE STUB

DWG: SALES-AD-632MSS-8TS REV. B